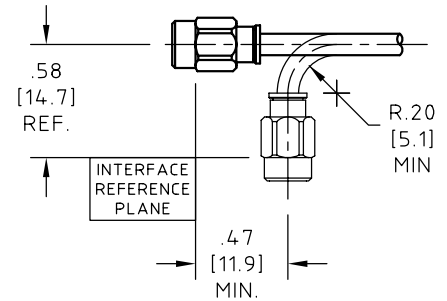


CONTROL DRAWING

minibend LA-XX

H

ASSEMBLY NO.	DIM. "L"	2.0 GHz		12.4 GHz		18.0 GHz		26.5 GHz	
		VSWR	I.L. dB	VSWR	I.L. dB	VSWR	I.L. dB	VSWR	I.L. dB
minibend LA-2.5	2.50 (63.5)	1.20:1	0.21	1.33:1	0.39	1.45:1	0.56	1.50:1	0.75
minibend LA-3	3.00 (76.2)	1.20:1	0.22	1.33:1	0.42	1.45:1	0.60	1.50:1	0.79
minibend LA-3.5	3.50 (88.9)	1.20:1	0.23	1.33:1	0.45	1.45:1	0.64	1.50:1	0.84
minibend LA-4	4.00 (101.6)	1.20:1	0.25	1.33:1	0.48	1.45:1	0.67	1.50:1	0.88
minibend LA-4.5	4.50 (114.3)	1.20:1	0.26	1.33:1	0.51	1.45:1	0.71	1.50:1	0.93
minibend LA-5	5.00 (127.0)	1.20:1	0.27	1.33:1	0.54	1.45:1	0.75	1.50:1	0.97
minibend LA-5.5	5.50 (139.7)	1.20:1	0.28	1.33:1	0.57	1.45:1	0.78	1.50:1	1.02
minibend LA-6	6.00 (152.4)	1.20:1	0.30	1.33:1	0.60	1.45:1	0.82	1.50:1	1.06
minibend LA-6.5	6.50 (165.1)	1.20:1	0.31	1.33:1	0.63	1.45:1	0.86	1.50:1	1.11
minibend LA-7	7.00 (177.8)	1.20:1	0.32	1.33:1	0.66	1.45:1	0.89	1.50:1	1.15
minibend LA-8	8.00 (203.2)	1.20:1	0.34	1.33:1	0.72	1.45:1	0.97	1.50:1	1.24
minibend LA-9	9.00 (228.6)	1.20:1	0.37	1.33:1	0.78	1.45:1	1.04	1.50:1	1.33
minibend LA-10	10.00 (254.0)	1.20:1	0.39	1.33:1	0.84	1.45:1	1.11	1.50:1	1.42
minibend LA-11	11.00 (279.4)	1.20:1	0.42	1.33:1	0.90	1.45:1	1.19	1.50:1	1.51
minibend LA-12	12.00 (304.8)	1.20:1	0.44	1.33:1	0.96	1.45:1	1.26	1.50:1	1.60
minibend LA-13	13.00 (330.2)	1.20:1	0.46	1.33:1	1.02	1.45:1	1.33	1.50:1	1.69
minibend LA-14	14.00 (355.6)	1.20:1	0.49	1.33:1	1.08	1.45:1	1.41	1.50:1	1.78
minibend LA-15	15.00 (381.0)	1.20:1	0.51	1.33:1	1.14	1.45:1	1.48	1.50:1	1.87
minibend LA-16	16.00 (406.4)	1.20:1	0.54	1.33:1	1.20	1.45:1	1.55	1.50:1	1.96
minibend LA-									

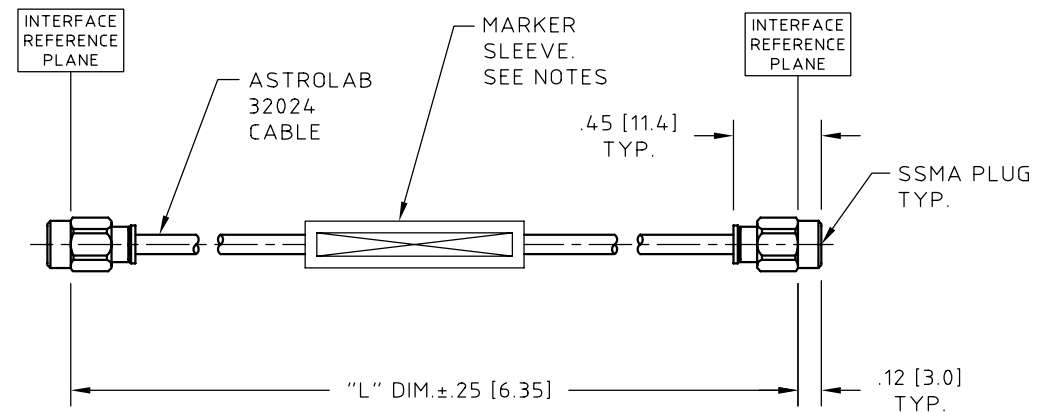


SHOWN ABOVE IS TYPICAL INSTALLATION.

ROHS 5/6 COMPLIANT

NOTES:

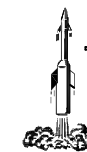
- DESCRIPTION:
LOW OUTGASSING, CABLE ASSEMBLY,
SSMA PLUG TO SSMA PLUG.
ASSEMBLY MEETS OR EXCEEDS NASA
LOW OUTGASSING REQUIREMENTS.
- CABLE,
COAXIAL CABLE ASTROLAB P/N 32024
MEETS OR EXCEEDS MIL-DTL-17
SEE ASTROLAB CONTROL DRAWING
FOR MATERIALS AND FINISHES.
- CONNECTOR -A-, SSMA PLUG:
ASTROLAB P/N 29112C-32-81
IAW MIL-STD-348.
SEE ASTROLAB CONTROL DRAWING
FOR MATERIALS AND FINISHES.
- CONNECTOR -B-, SSMA PLUG:
SAME AS CONNECTOR -A-.
- MARKING:
LOOSE, WHITE SLEEVING CAPTIVATED ON THE CABLE ASSEMBLY.
MARKING WILL INCLUDE THE ASTROLAB PART NUMBER, CAGE CODE
AND DATE CODE OF DATE OF MANUFACTURE. OTHER MARKING
AS DEFINED BY CUSTOMER.
NO MARKING ON CABLE ASSEMBLIES SHORTER
THAN 3.0", MARKING ON PACKING ONLY.
- ELECTRICAL CHARACTERISTICS:
IMPEDANCE,
50.0 Ohms NOMINAL.
FREQUENCY, INSERTION LOSS AND VSWR
SEE CHART.
- MECHANICAL:
OPERATING TEMPERATURE RANGE,
-55° C TO +125° C.
PULL STRENGTH TO 15.0 LBS. [67 N].



UNLESS OTHERWISE SPECIFIED
CONCENTRICITY .004 T.I.R.
CORNERS AND FILLETS .005
MAX. RADIUS OR CHAMFER.
SURFACE FINISH 63 RMS
MICROINCHES OR BETTER.

FRACTIONS	± 1/16
X	± .030
XX	± .015
XXX	± .005
ANGLES	± 1°
DO NOT SCALE DRAWING	

NAME	DATE
PREP. GSG	07/16/01
ELEC.	
MECH.	
Q.C.	



astrolab® INC.
WARREN, NJ

THIS DRAWING CONTAINS PATENTABLE AND
PROPRIETARY INFORMATION. THE DESIGN
CANNOT BE USED WITHOUT WRITTEN
PERMISSION OF ASTROLAB

TITLE
CABLE ASSEMBLY, minibend L TYPE, SSMA PLUG TO SSMA PLUG

H	ECN No. 13954	05/23/11	EF									
REV.	DESCRIPTION	DATE	BY	APPROVED								

THDS. TO BE IN ACCORD WITH U.S. DEPT. OF COMM. SCREW THD. STDS. FOR FEDERAL SERVICES 1950 SUPL. TO HANDBOOK H 28.	SCALE 1:1	CODE IDENT. 16301	DWG NO. minibend LA-XX	REV H
--	--------------	----------------------	---------------------------	----------