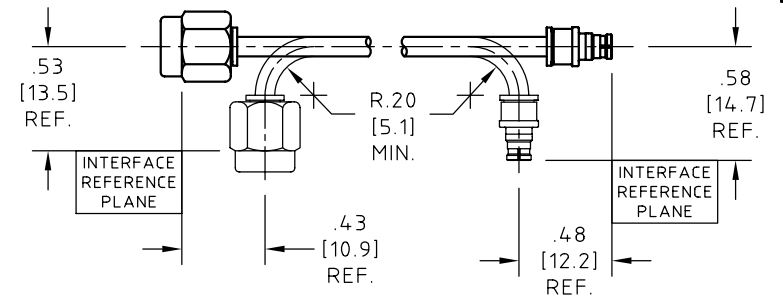


ASSEMBLY NO.	DIM. "L"	2.0 GHz		18.0 GHz		40.0 GHz	
		VSWR	LOSS, dB	VSWR	LOSS, dB	VSWR	LOSS, dB
minibend KS-2.5	2.50 (63.5)	1.25:1	0.22	1.45:1	0.66	1.50:1	1.09
minibend KS-3	3.00 (76.2)	1.25:1	0.23	1.45:1	0.71	1.50:1	1.16
minibend KS-3.5	3.50 (88.9)	1.25:1	0.25	1.45:1	0.75	1.50:1	1.24
minibend KS-4	4.00 (101.6)	1.25:1	0.26	1.45:1	0.80	1.50:1	1.32
minibend KS-4.5	4.50 (114.3)	1.25:1	0.28	1.45:1	0.85	1.50:1	1.39
minibend KS-5	5.00 (127.0)	1.25:1	0.29	1.45:1	0.90	1.50:1	1.47
minibend KS-5.5	5.50 (139.7)	1.25:1	0.31	1.45:1	0.95	1.50:1	1.55
minibend KS-6	6.00 (152.4)	1.25:1	0.33	1.45:1	1.00	1.50:1	1.63
minibend KS-6.5	6.50 (165.1)	1.25:1	0.34	1.45:1	1.05	1.50:1	1.70
minibend KS-7	7.00 (177.8)	1.25:1	0.36	1.45:1	1.10	1.50:1	1.78
minibend KS-8	8.00 (203.2)	1.25:1	0.39	1.45:1	1.20	1.50:1	1.93
minibend KS-9	9.00 (228.6)	1.25:1	0.42	1.45:1	1.30	1.50:1	2.09
minibend KS-10	10.00 (254.0)	1.25:1	0.45	1.45:1	1.39	1.50:1	2.24
minibend KS-11	11.00 (279.4)	1.25:1	0.48	1.45:1	1.49	1.50:1	2.40
minibend KS-12	12.00 (304.8)	1.25:1	0.51	1.45:1	1.59	1.50:1	2.55
minibend KS-13	13.00 (330.2)	1.25:1	0.54	1.45:1	1.69	1.50:1	2.70
minibend KS-14	14.00 (355.6)	1.25:1	0.57	1.45:1	1.79	1.50:1	2.86
minibend KS-15	15.00 (381.0)	1.25:1	0.60	1.45:1	1.89	1.50:1	3.01
minibend KS-16	16.00 (406.4)	1.25:1	0.63	1.45:1	1.98	1.50:1	3.17
minibend KS-							

CONTROL DRAWING

minibend KS-XX

M

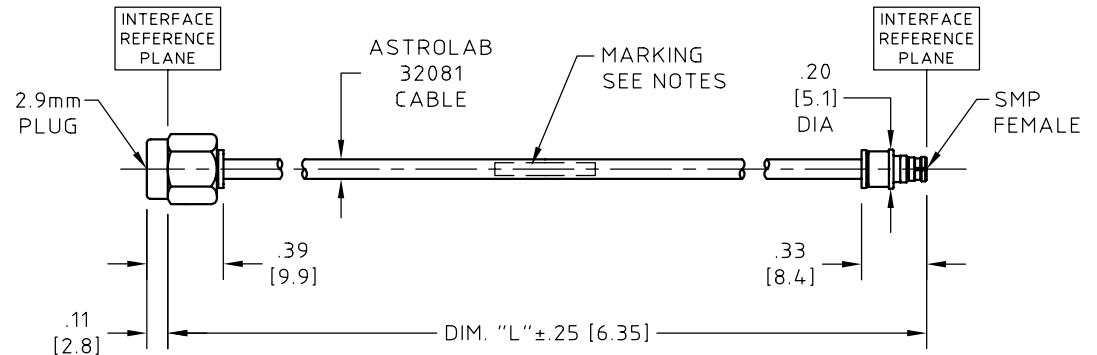


SHOWN ABOVE IS TYPICAL INSTALLATION.

ROHS 5/6 COMPLIANT

NOTES:

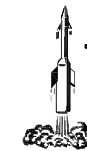
- DESCRIPTION,
CABLE ASSEMBLY, 2.9mm PLUG TO SMP FEMALE.
- CABLE,
COAXIAL CABLE ASTROLAB P/N 32081 MEETS OR EXCEEDS MIL-DTL-17 SEE ASTROLAB CONTROL DRAWING FOR MATERIALS AND FINISHES.
- CONNECTOR -A-, 2.9mm PLUG:
ASTROLAB P/N 29094KC-32-81 IAW MIL-STD-348 SEE ASTROLAB CONTROL DRAWING FOR MATERIALS AND FINISHES.
- CONNECTOR -B-, SMP FEMALE:
ASTROLAB P/N 29473C-32-81-1 IAW MIL-STD-348 SEE ASTROLAB CONTROL DRAWING FOR MATERIALS AND FINISHES.
- MARKING:
MARKING APPROXIMATELY CENTERED, DIRECTLY ON CABLE, ASTROLAB PART NUMBER AND DATE CODE.
NO MARKING ON CABLE ASSEMBLIES SHORTER THAN 3.00" MARKING ON PACKING ONLY.
- ELECTRICAL CHARACTERISTICS:
IMPEDANCE,
50.0 Ohms NOMINAL.
FREQUENCY, INSERTION LOSS AND VSWR SEE CHART.
- MECHANICAL:
OPERATING TEMPERATURE RANGE,
-55° C TO +125° C.
PULL STRENGTH TO 15.0 LBS. [67 N].



UNLESS OTHERWISE SPECIFIED
CONCENTRICITY .004 T.I.R.
CORNERS AND FILLETS .005
MAX. RADIUS OR CHAMFER.
SURFACE FINISH 63 RMS
MICROINCHES OR BETTER.

FRACTIONS	± 1/16
X	± .030
XX	± .015
XXX	± .005
ANGLES	± 1°
DO NOT SCALE DRAWING	

NAME	DATE
PREP. WJL	05/11/00
ELEC. RF	05/11/00
MECH. GSG	05/11/00
Q.C.	



astrolab® INC.
WARREN, NJ

THIS DRAWING CONTAINS PATENTABLE AND PROPRIETARY INFORMATION. THE DESIGN CANNOT BE USED WITHOUT WRITTEN PERMISSION OF ASTROLAB

TITLE	CABLE ASSEMBLY, 2.9mm PLUG TO SMP FEMALE		
THDS. TO BE IN ACCORD WITH U.S. DEPT. OF COMM. SCREW THD. STDS. FOR FEDERAL SERVICES 1950 SUPL. TO HANDBOOK H 28.	SCALE	CODE IDENT.	DWG NO.
	1:1	16301	minibend KS-XX
REV.			M

M	ECN No. 13954	05/23/11	EF	
REV.	DESCRIPTION	DATE	BY	APPROVED