

NOTES:

1. MATERIALS AND FINISHES

- CABLE,
COAXIAL, FLEXIBLE, ASTROLAB 32081E.
- CONNECTOR A
SSMA PLUG, ASTROLAB P/N 29112CR-32-81E
- CONNECTOR B
SSMA PLUG, ASTROLAB P/N 29112CR-32-81E

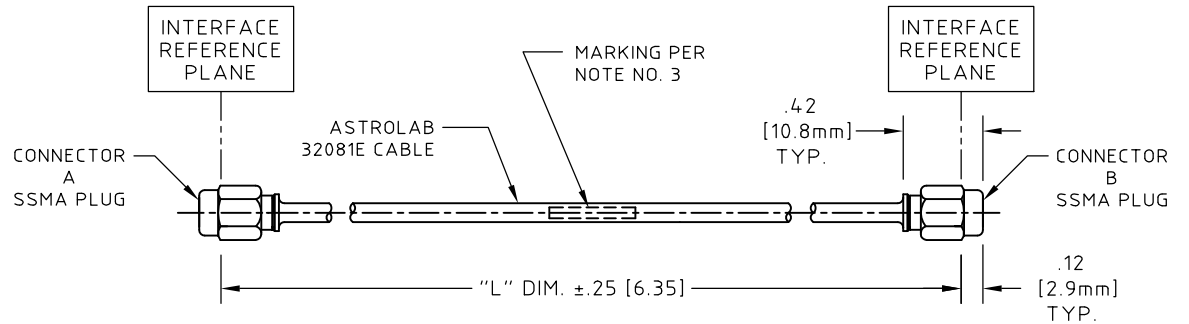
2. TECHNICAL DATA:

OPERATING TEMPERATURE -55°C TO +125°C.

3. MARKING APPROXIMATELY CENTERED DIRECTLY ON CABLE AS FOLLOWS:

"MINIBEND AR-XX YYWW"

WHERE "XX" IS THE LENGTH OF THE CABLE ASSEMBLY, AND "YYWW"
IS THE DATE CODE, YEAR AND WEEK DETERMINED BY PRODUCTION DATE.



ASSEMBLY NO.	REF. NO.	DIM. "L"	2.0 GHz		12.4 GHz		18.0 GHz		26.5 GHz	
			VSWR	I.L. dB	VSWR	I.L. dB	VSWR	I.L. dB	VSWR	I.L. dB
MINIBEND AR-2.5	32081E-2-29112CR-2.5	2.50 (63.5)	1.20:1	0.23	1.33:1	0.44	1.45:1	0.63	1.50:1	0.83
MINIBEND AR-3	32081E-2-29112CR-3	3.00 (76.2)	1.20:1	0.24	1.33:1	0.48	1.45:1	0.68	1.50:1	0.89
MINIBEND AR-3.5	32081E-2-29112CR-3.5	3.50 (88.9)	1.20:1	0.26	1.33:1	0.52	1.45:1	0.72	1.50:1	0.95
MINIBEND AR-4	32081E-2-29112CR-4	4.00 (101.6)	1.20:1	0.27	1.33:1	0.56	1.45:1	0.77	1.50:1	1.01
MINIBEND AR-4.5	32081E-2-29112CR-4.5	4.50 (114.3)	1.20:1	0.29	1.33:1	0.60	1.45:1	0.82	1.50:1	1.07
MINIBEND AR-5	32081E-2-29112CR-5	5.00 (127.0)	1.20:1	0.30	1.33:1	0.64	1.45:1	0.87	1.50:1	1.13
MINIBEND AR-5.5	32081E-2-29112CR-5.5	5.50 (139.7)	1.20:1	0.32	1.33:1	0.68	1.45:1	0.92	1.50:1	1.19
MINIBEND AR-6	32081E-2-29112CR-6	6.00 (152.4)	1.20:1	0.34	1.33:1	0.73	1.45:1	0.97	1.50:1	1.25
MINIBEND AR-6.5	32081E-2-29112CR-6.5	6.50 (165.1)	1.20:1	0.35	1.33:1	0.77	1.45:1	1.02	1.50:1	1.31
MINIBEND AR-7	32081E-2-29112CR-7	7.00 (177.8)	1.20:1	0.37	1.33:1	0.81	1.45:1	1.07	1.50:1	1.38
MINIBEND AR-8	32081E-2-29112CR-8	8.00 (203.2)	1.20:1	0.40	1.33:1	0.89	1.45:1	1.17	1.50:1	1.50
MINIBEND AR-9	32081E-2-29112CR-9	9.00 (228.6)	1.20:1	0.43	1.33:1	0.97	1.45:1	1.27	1.50:1	1.62
MINIBEND AR-10	32081E-2-29112CR-10	10.00 (254.0)	1.20:1	0.46	1.33:1	1.05	1.45:1	1.36	1.50:1	1.74
MINIBEND AR-11	32081E-2-29112CR-11	11.00 (279.4)	1.20:1	0.49	1.33:1	1.13	1.45:1	1.46	1.50:1	1.86
MINIBEND AR-12	32081E-2-29112CR-12	12.00 (304.8)	1.20:1	0.52	1.33:1	1.21	1.45:1	1.56	1.50:1	1.99
MINIBEND AR-13	32081E-2-29112CR-13	13.00 (330.2)	1.20:1	0.55	1.33:1	1.29	1.45:1	1.66	1.50:1	2.11
MINIBEND AR-14	32081E-2-29112CR-14	14.00 (355.6)	1.20:1	0.58	1.33:1	1.37	1.45:1	1.76	1.50:1	2.23
MINIBEND AR-15	32081E-2-29112CR-15	15.00 (381.0)	1.20:1	0.61	1.33:1	1.45	1.45:1	1.86	1.50:1	2.35
MINIBEND AR-16	32081E-2-29112CR-16	16.00 (406.4)	1.20:1	0.64	1.33:1	1.53	1.45:1	1.95	1.50:1	2.47

Issue Jan2002	www.astrolab.com	UNLESS OTHERWISE SPECIFIED		 astrolab [®] INC. 4 POWDER HORN DRIVE WARREN NJ 07059 USA	CABLE ASSEMBLY, MINIBEND, (2X) SSMA PLUG, RUGGEDIZED
	Phone 1.732.560.3800	FRACTIONS	± 1/16		
	Fax 1.732.560.9570	X	± .030		
	Code Ident. No. 16301	XX	± .015		
		XXX	± .005		
	ANGLES	± 1°			